

SEPARABLE CURRENT TRANSFORMERS, TYPE KBU, CLASS 0.5 AND 1

Separable current transformers are particularly suitable for retrofitting, as they can also be installed during operation and without interrupting the primary conductor. They are available in the model type KBU.



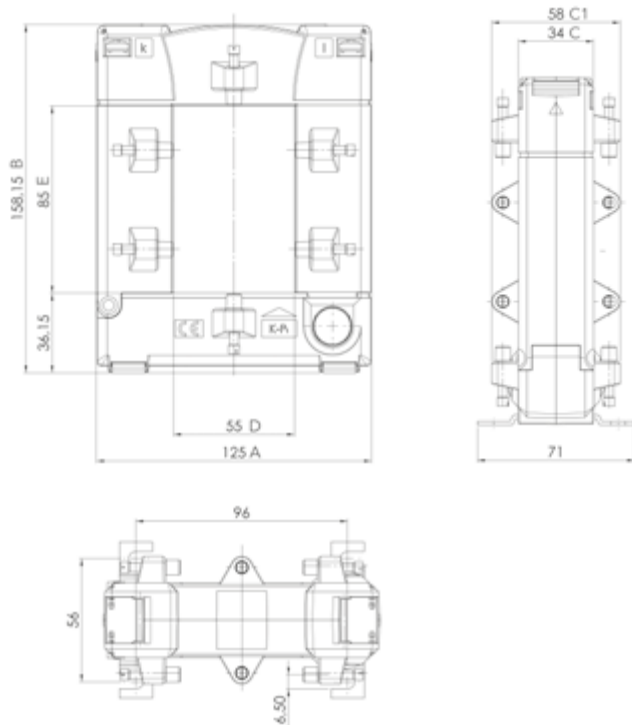
SEPARABLE CURRENT TRANSFORMERS, TYPE KBU – TECHNICAL DATA

SEPARABLE CURRENT TRANSFORMERS, TYPE KBU – KUW1 SERIES FOR INSULATED CABLES UP TO MAX. 18 MM IN DIAMETER

TYPE	PRIMARY CURRENT in A	SECONDARY CURRENT in A	POWER in VA	CLASS	DIMENSIONS in mm					WEIGHT in kg	PART NO.
					A	B	C / C1	D	E		
KBU 58	250	5	1.5	1	125	158	34 / 58	55	85	0.9	1502316
KBU 58	400	5	1	0.5	125	158	34 / 58	55	85	0.9	1502868
KBU 58	500	5	2.5	0.5	125	158	34 / 58	55	85	0.9	1502819
KBU 58	600	5	2.5	0.5	125	158	34 / 58	55	85	1.0	1502315
KBU 58	1000	5	5	0.5	125	158	34 / 58	55	85	1.0	1502320
KBU 812	600	5	2.5	0.5	155	198	34 / 58	85	125	1.3	1502869
KBU 812	800	5	2.5	0.5	155	198	34 / 58	85	125	1.3	1502870
KBU 812	1000	5	5	0.5	155	198	34 / 58	85	125	1.3	1502871
KBU 812	1250	5	7.5	0.5	155	198	34 / 58	85	125	1.3	1502328

SEPARABLE CURRENT TRANSFORMERS, TYPE KBU – DIMENSIONAL DRAWINGS

KBU 58



KBU 812

