

SUMMATION CURRENT TRANSFORMERS FOR SPLIT CORE TRANSFORMERS, CLASS 1

With summation current transformers, the total consumption can be recorded by only one measurement device, even if the measurement is made via two or more current transformers. The summation current transformer adds up the secondary signals of the individual current transformers and makes them available as a normalized measurement signal.



SUMMATION CURRENT TRANSFORMERS FOR SPLIT CORE TRANSFORMERS – TECHNICAL DATA

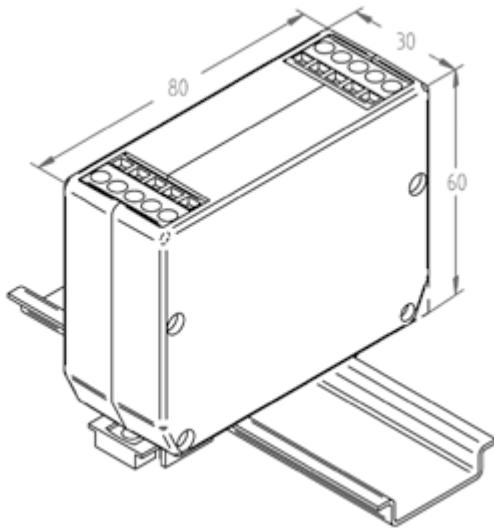
SUMMATION CURRENT TRANSFORMERS FOR SPLIT CORE TRANSFORMERS, CLASS 1

TYPE	PRIMARY CURRENT in A	SECONDARY CURRENT in A	RATIO	POWER in VA	DIMENSIONS in mm (W x H x D)	WEIGHT in kg	PART NO.
STS20	1+1	1	1:1	0.2	30 x 80 x 60	0.2	1502560
STS30	1+1+1	1	1:1:1	0.2	30 x 80 x 60	0.2	1502561
STS40	1+1+1+1	1	1:1:1:1	0.2	55 x 80 x 60	0.4	1502562
STS50	1+1+1+1+1	1	1:1:1:1:1	0.2	55 x 80 x 60	0.4	1502563
STS60	1+1+1+1+1+1	1	1:1:1:1:1:1	0.2	55 x 80 x 60	0.4	1502564
STS21	1+1	1	Customer-specific	0.2	30 x 80 x 60	0.2	1502570
STS31	1+1+1	1	Customer-specific	0.2	30 x 80 x 60	0.2	1502571
STS41	1+1+1+1	1	Customer-specific	0.2	55 x 80 x 60	0.4	1502572
STS51	1+1+1+1+1	1	Customer-specific	0.2	55 x 80 x 60	0.4	1502573
STS61	1+1+1+1+1+1	1	Customer-specific	0.2	55 x 80 x 60	0.4	1502574

For unequal main transformers, the ratio of the largest to the smallest primary current should not be greater than 10/1.

SUMMATION CURRENT TRANSFORMERS FOR SPLIT CORE TRANSFORMERS – DIMENSIONAL DRAWINGS

STS20 / STS30 / STS21 / STS31



STS40 / STS50 / STS60 / STS41 / STS51 / STS61

