

PLUG-IN CURRENT TRANSFORMERS CLASS 1 ... / 5 A

With plug-in current transformers, the conductor to be measured is fed through the opening, which is available in various diameters. The break proof plastic housings are flame retardant and self-extinguishing.

When installing plug-in current transformers, the primary conductor is interrupted, meaning they are mainly suitable for new installations.



PLUG-IN CURRENT TRANSFORMERS, CLASS 1 – TECHNICAL DATA

PLUG-IN CURRENT TRANSFORMER, CLASS 1 ... / 5 A SECONDARY CURRENT

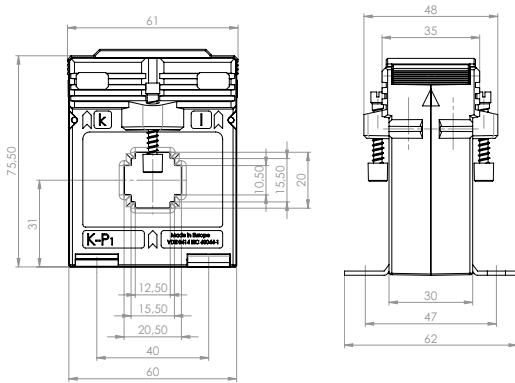
TYPE	PRIMARY CURRENT in A	RATIO	POWER in VA	PRIMARY CONDUCTOR	ROUND CONDUCTOR in mm	WIDTH in mm	WEIGHT in kg	PART NO.
ASK 21.3	75	75/5	2.5	20 x 10	19.2	61	0.31	1503206
ASK 21.3	80	80/5	2.5	20 x 10	19.2	61	0.32	1503207
ASK 21.3	100	100/5	3.75	20 x 10	19.2	61	0.26	1503208
ASK 31.5	75	75/5	1.5	30 x 10; 20 x 10	28	61	0.45	1503270
CTB 31.35	100	100/5	2.5	30 x 10; 25 x 12; 20 x 20	25.7	60	0.23	1503272
CTB 31.35	150	150/5	2.5	30 x 10; 25 x 12; 20 x 20	25.7	60	0.23	1503273
CTB 31.35	200	200/5	2.5	30 x 10; 25 x 12; 20 x 20	25.7	60	0.23	1503274
CTB 31.35	250	250/5	5	30 x 10; 25 x 12; 20 x 20	25.7	60	0.23	1503275
CTB 31.35	300	300/5	5	30 x 10; 25 x 12; 20 x 20	25.7	60	0.23	1503276
CTB 31.35	400	400/5	5	30 x 10; 25 x 12; 20 x 20	25.7	60	0.23	1503277
CTB 31.35	500	500/5	5	30 x 10; 25 x 12; 20 x 20	25.7	60	0.23	1503278
ASK 31.3	600	600/5	5	30 x 10; 20 x 20	26	61	0.25	1503279
CTB 41.35	800	800/5	5	40 x 10; 30 x 15	31.8	70	0.30	1503280
CTB 41.35	1000	1000/5	5	40 x 10; 30 x 15	31.8	70	0.30	1503281
CTB 51.35	1250	1250/5	5	50 x 12; 40 x 30	43.7	85	0.35	1503282
CTB 61.35	1500	1500/5	5	63 x 10; 50 x 30	43.7	95	0.35	1503283
CTB 81.35	1500	1500/5	10	80 x 10; 60 x 30	54.7	120	0.35	1503284
CTB 81.35	1600	1600/5	10	80 x 10; 60 x 30	54.7	120	0.35	1503285
CTB 81.35	2000	2000/5	10	80 x 10; 60 x 30	54.7	120	0.38	1503286
CTB 101.35	2500	2500/5	10	100 x 10; 80 x 30	70	130	0.40	1503287

ACCESSORIES

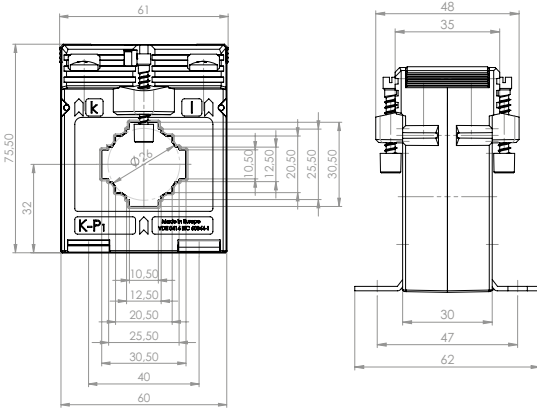
Snap-on mounting for design type CTB	1502140
Snap-on mounting for design type ASK 31.5	1502141
Snap-on mounting for design type ASK 31.3	1502151

PLUG-IN CURRENT TRANSFORMERS, CLASS 1 – DIMENSIONAL DRAWINGS

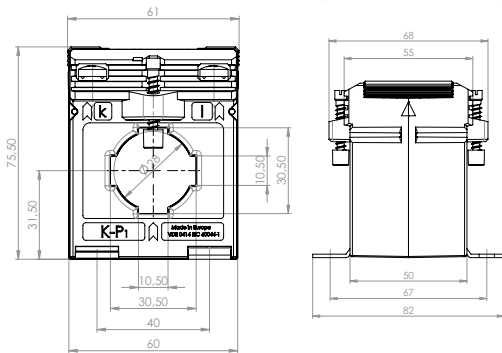
ASK 21.3



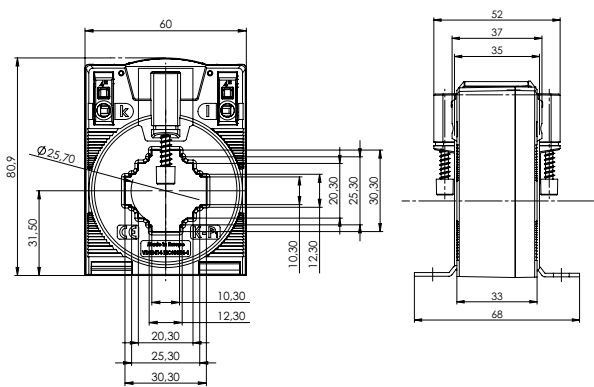
ASK 31.3



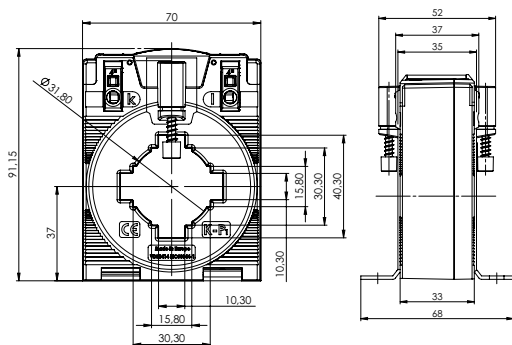
ASK 31.5



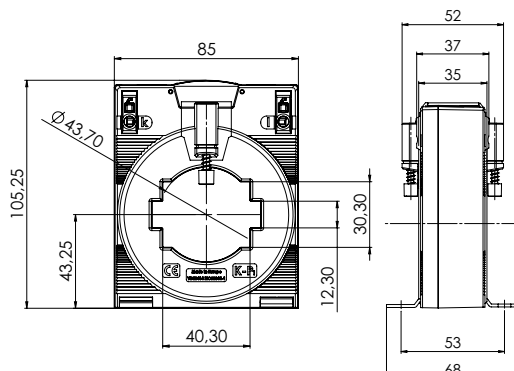
CTB 31.35



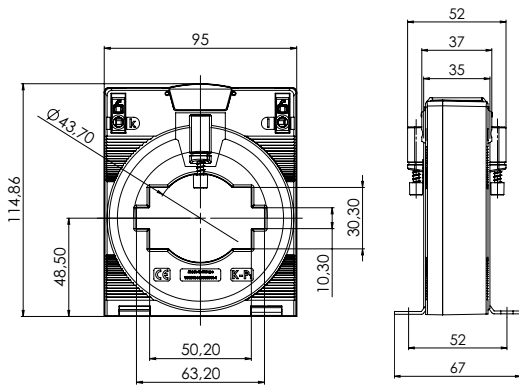
CTB 41.35



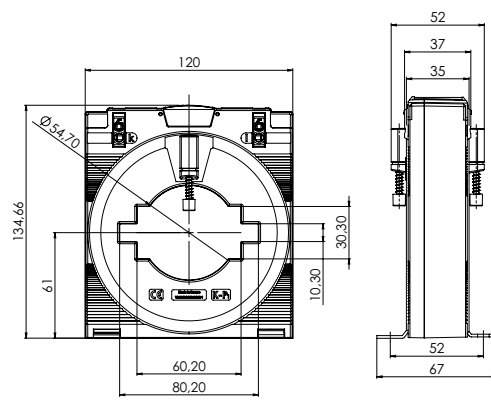
CTB 51.35



CTB 61.35



CTB 81.35



CTB 101.35

