

PLUG-IN CURRENT TRANSFORMERS FOR BILLING PURPOSES, CLASS 0.2S ... / 5 A

Current transformers for billing can be used to meet applicable regulations for kWh meters. The transformers are available in various ratios and with different diameters.



PLUG-IN CURRENT TRANSFORMERS FOR BILLING PURPOSES – TECHNICAL DATA

PLUG-IN CURRENT TRANSFORMERS FOR BILLING PURPOSES, CLASS 0.2S ... / 5 A SECONDARY CURRENT*

TYPE	PRIMARY CURRENT in A	RATIO	POWER in VA	PRIMARY CONDUCTOR	ROUND CONDUCTOR in mm	HEIGHT in mm	WIDTH in mm	WEIGHT in kg	PART NO.
ERM60-E3A	150	150/5	1 VA	30 x 10	24.5	30	60	0.4	0906212
ERM60-E3A	200	200/5	2 VA	30 x 10	24.5	30	60	0.4	0906213
ERM60-E3A	250	250/5	2.5 VA	30 x 10	24.5	30	60	0.4	0906214
ERM70-E4A	300	300/5	2.5 VA	40 x 10	30.5	30	70	0.4	0906215
ERM70-E4A	400	400/5	5 VA	40 x 10	30.5	30	70	0.4	0906216
ERM70-E4A	500	500/5	5 VA	40 x 10	30.5	30	70	0.4	0906217
ERM70-E4B	600	600/5	5 VA	40 x 10	30.5	50	70	0.5	0906218
ERM70-E4B	750	750/5	5 VA	40 x 10	30.5	50	70	0.5	0906219
ERM85-E6A	1000	1000/5	5 VA	60 x 10	30.6	40	85	0.6	0906220

ACCESSORIES

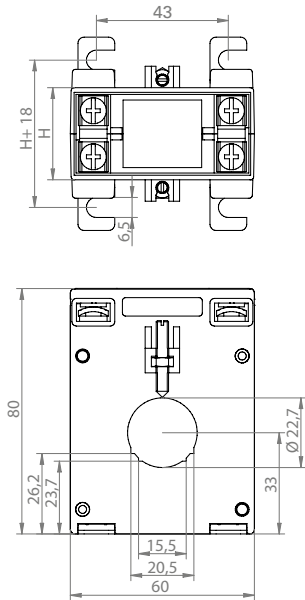
Snap-on mounting for ERM60/ERM70

0909012

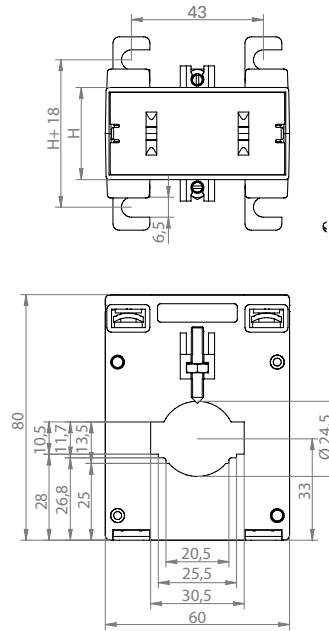
* Transformers are made to order, no stock items, returns excluded.

PLUG-IN CURRENT TRANSFORMERS FOR BILLING PURPOSES – DIMENSIONAL DRAWINGS

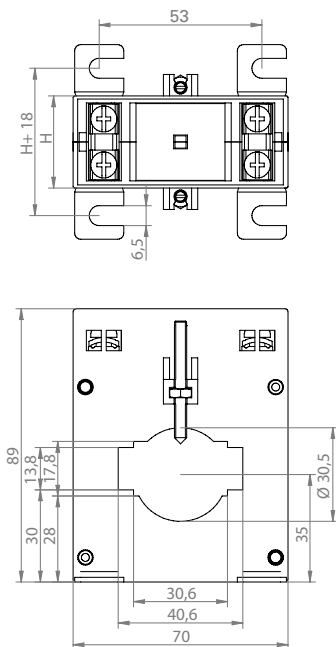
ERM60-E2A



ERM60-E3A



ERM70-E4A



ERM85-E6A

