

PLUG-IN CURRENT TRANSFORMERS FOR BILLING PURPOSES, CLASS 0.5 ... / 5 A

Current transformers for billing can be used to meet applicable regulations for kWh meters. The transformers are available in various ratios and with different diameters.



PLUG-IN CURRENT TRANSFORMERS FOR BILLING PURPOSES – TECHNICAL DATA

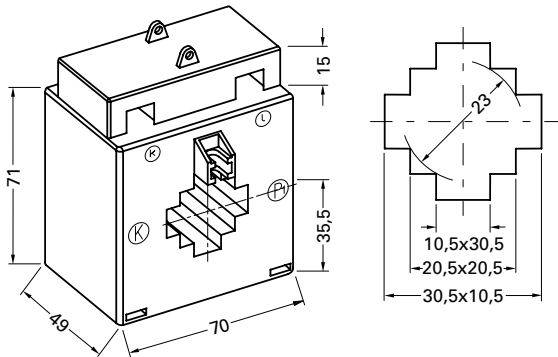
PLUG-IN CURRENT TRANSFORMERS FOR BILLING PURPOSES, CLASS 0.5 ... / 5 A SECONDARY CURRENT*

TYPE	PRIMARY CURRENT in A	RATIO	POWER in VA	PRIMARY CONDUCTOR	ROUND CONDUCTOR in mm	WIDTH in mm	WEIGHT in kg	PART NO.
EIPA30.5	50	50/5	2.5	30.5 x 10.5; 20.5 x 20.5; 10.5 x 30.5	23	70	0.4	0914813
EIPA30.5	75	75/5	2.5	30.5 x 10.5; 20.5 x 20.5; 10.5 x 30.5	23	70	0.4	0914812
EIPA30.5	100	100/5	2.5	30.5 x 10.5; 20.5 x 20.5; 10.5 x 30.5	23	70	0.3	0914811
E6A315.3	150	150/5	2.5	33 x 16; 23 x 23, 16 x 33	28	60	0.3	0910339
E6A315.3	200	200/5	2.5	33 x 16; 23 x 23, 16 x 33	28	60	0.3	0910340
E6A315.3	250	250/5	5	33 x 16; 23 x 23, 16 x 33	28	60	0.3	0910367
E6A315.3	300	300/5	5	33 x 16; 23 x 23, 16 x 33	28	60	0.3	0910366
E6A315.3	400	400/5	5	33 x 16; 23 x 23, 16 x 33	28	60	0.3	1502907
E6A315.3	500	500/5	5	33 x 16; 23 x 23, 16 x 33	28	60	0.3	0910364
E6A315.3	600	600/5	5	33 x 16; 23 x 23, 16 x 33	28	60	0.3	0911365
E7A412.3	750	750/5	5	40.5 x 13; 31 x 31, 13 x 40.5	33	70	0.3	0910391
E7A412.3	1000	1000/5	5	40.5 x 13; 31 x 31, 13 x 40.5	33	70	0.4	0910888
E9A615.3	1.500	1500/5	5	64 x 16; 54 x 32; 42 x 42; 32 x 54; 16 x 64	53	95	0.4	0910387
E13A1030.3	2.000	2000/5	5	101 x 31; 84 x 64; 54 x 81	85	129	0.5	0912888
E13A1030.3	2.500	2500/5	5	101 x 31; 84 x 64; 54 x 81	85	129	0.5	0912889
ACCESSORIES								
Declaration of conformity with errata								0950011

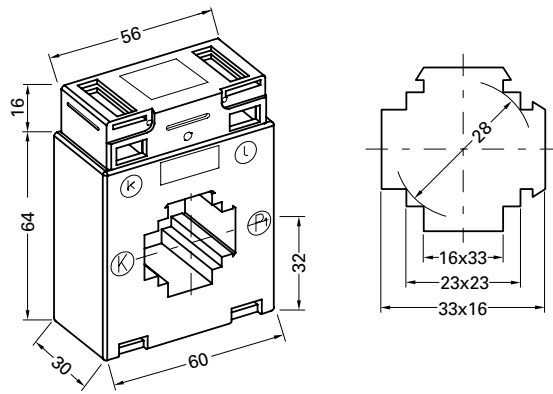
* Transformers are made to order, no stock items, returns excluded. Current transformers with other primary or secondary currents on request.

PLUG-IN CURRENT TRANSFORMERS FOR BILLING PURPOSES – DIMENSIONAL DRAWINGS

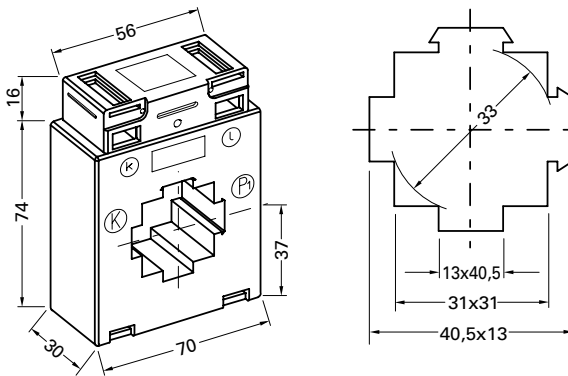
EIPA30.5



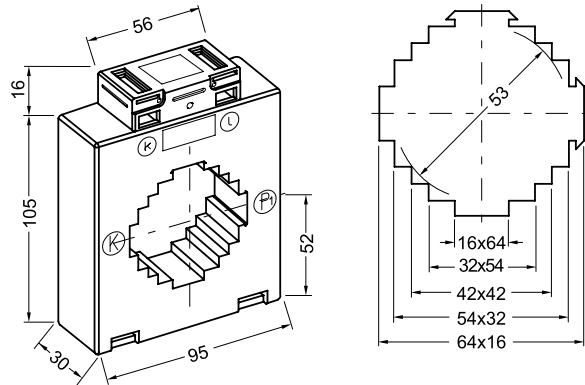
E6A315.3



E7A412.3



E9A615.3



E13A1030.3

