

# MPA MID ENERGY METERS



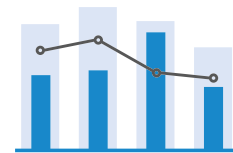
## CERTIFICATION

MID certified



## COMMUNICATION

Modbus



## ENERGY MANAGEMENT

Legally valid billing & acquisition for the BesAr

## MEASUREMENT

## MID ENERGY METER MPA-1-667DI SINGLE-PHASE METER, 100 A

- Single-phase (1 + N)
- Direct connection up to 100 A
- With measured values and DI alarm function
- Width: 2 DIN modules
- Tested and approved according to MID<sup>\*1</sup> and IEC
- 2 Digital Inputs (Self Powered)



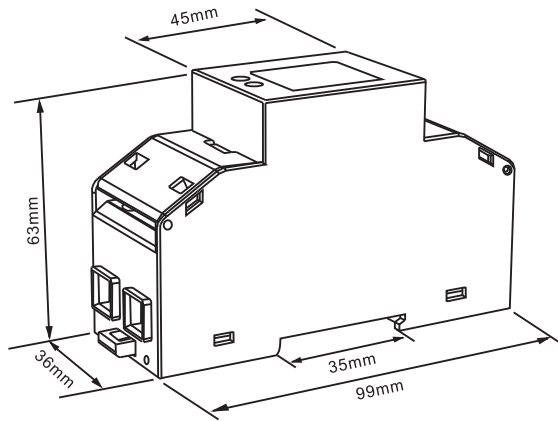
*\*1 In Switzerland, different regional requirements apply in connection with MID energy meters.*

## MID ENERGY METER MPA-1-667DI TECHNICAL DATA

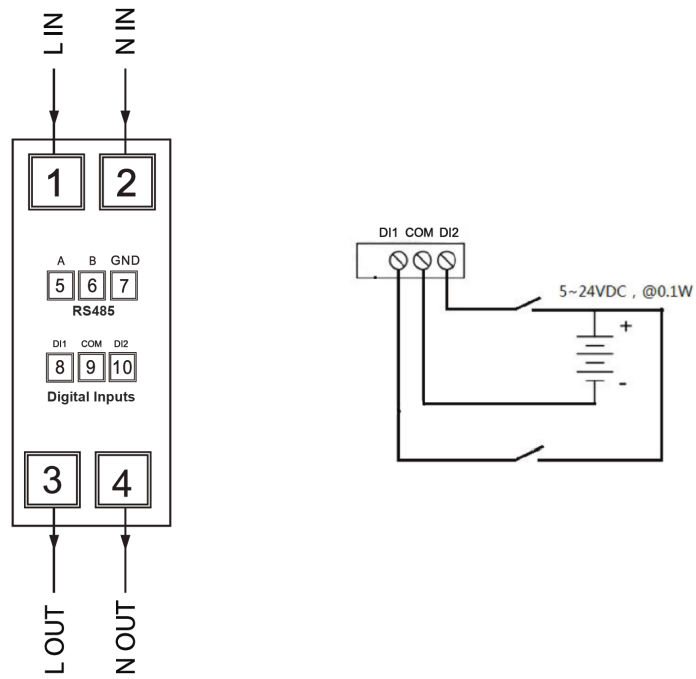
MID ENERGY METER MPA-1-667DI SINGLE-PHASE DIRECT CONNECTION METER, 100A						
VOLTAGE V	ACCURACY CLASS	I/O	COMMUNICATION	TYPE	WEIGHT IN kg	PART NO.
1 x 230 V AC	Active energy: B (Class 1) Reactive energy: Class 2	2 inputs	Pulse output, RS-485	MPA-1-667DI	0.15	<b>14.01.375</b>

# MID ENERGY METER MPA-1-667DI DIMENSIONED DRAWING

All dimensions in mm



# MID ENERGY METER MPA-1-667DI CONNECTION EXAMPLE



## MID ENERGY METER MPA-3-668DI THREE-PHASE METER, 100 A

- Three-phase (3 + N)
- Direct connection up to 100 A
- With measured values and alarm function
- For 3- and 4-wire connection
- Width: 4 DIN modules
- Tested and approved according to MID<sup>1</sup> and IEC
- 2 Digital Inputs (Self Powered)



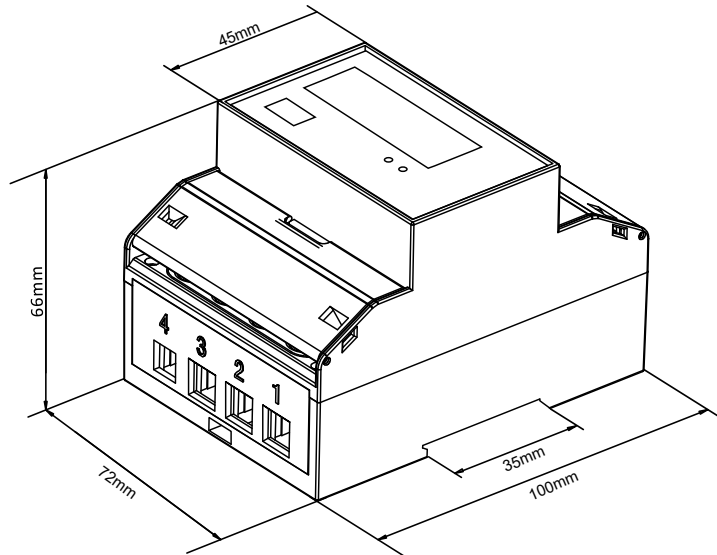
## MID ENERGY METER MPA-3-668DI TECHNICAL DATA

MID ENERGY METER MPA-3-668DI THREE-PHASE DIRECT CONNECTION METER, 100A

VOLTAGE V	ACCURACY CLASS	I/O	COMMUNICATION	TYPE	WEIGHT IN kg	PART NO.
3 x 230/400 VAC	Active energy: B (Class 1) Reactive energy: Class 2	2 inputs	Pulse output, RS-485	MPA-3-668DI	0.34	<b>14.01.374</b>

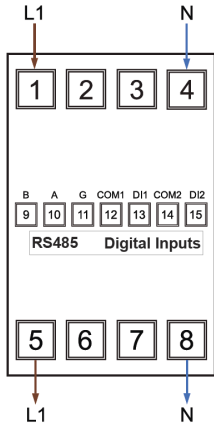
# MID ENERGY METER B23 DIMENSIONED DRAWING

All dimensions in mm

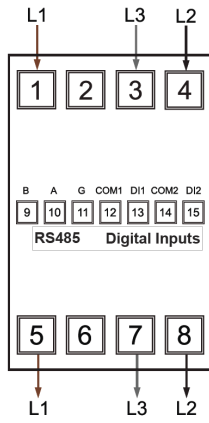


## MID ENERGY METER MPA-3-668DI CONNECTION EXAMPLE

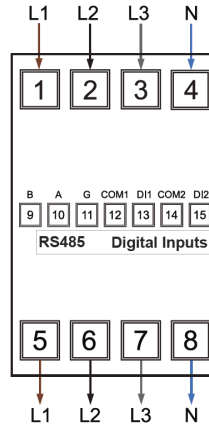
Single-Phase 2-Wire



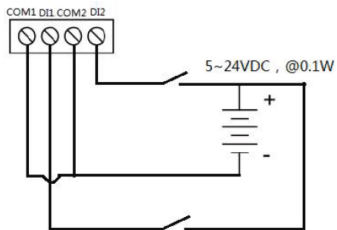
Three-Phase 3-Wire



Three-Phase 4-Wire



Digital Input Wiring



## MID ENERGY METER MPA-3-669DI TRANSFORMER METER, 1 / 5A

- Transformer meter, three-phase (3 + N)
- CT transformer connection, 1 / 5A
- Transformer ratio freely configurable up to 9999/1-6
- With measured values and alarm function
- For 3- and 4-wire connection
- Width: 4 DIN modules
- Tested and approved according to MID\*1 and IEC
- 2 Digital Inputs (Self Powered)

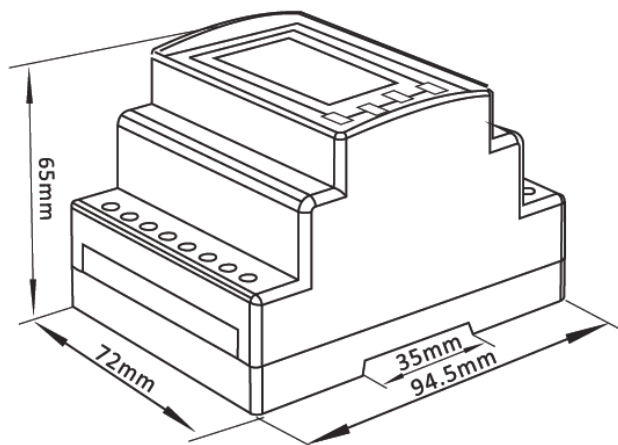


## MID ENERGY METER MPA-3-669DI TECHNICAL DATA

MID ENERGY METER MPA-3-668DI THREE-PHASE CT CONNECTION METER, 1 / 5A						
VOLTAGE V	ACCURACY CLASS	I/O	COMMUNICATION	TYPE	WEIGHT IN kg	PART NO.
3 x 230/400 VAC	Active energy: B (Class 1) Reactive energy: Class 2	2 inputs	Pulse output, RS-485	MPA-3-669DI	0.27	<b>14.01.373</b>

# MID ENERGY METER MPA-3-669DI DIMENSIONED DRAWING

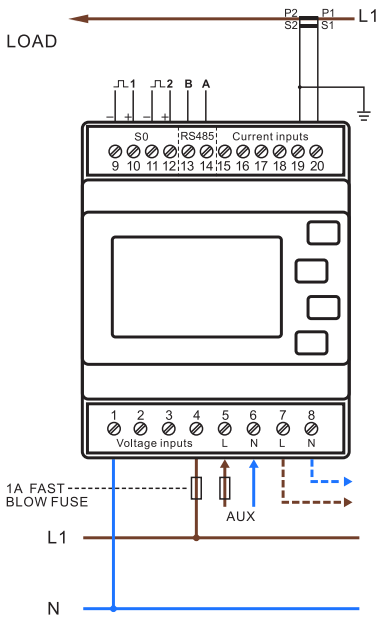
All dimensions in mm



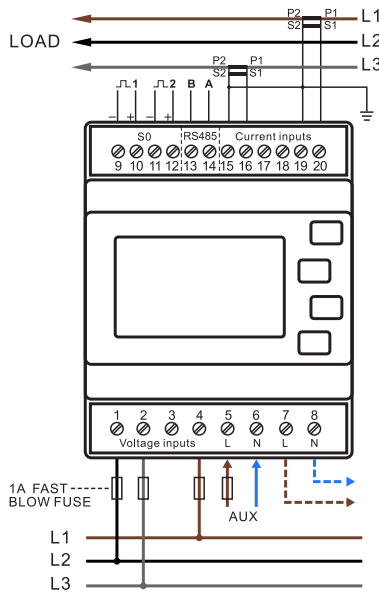


# MID ENERGY METER MPA-3-669DI CONNECTION EXAMPLE

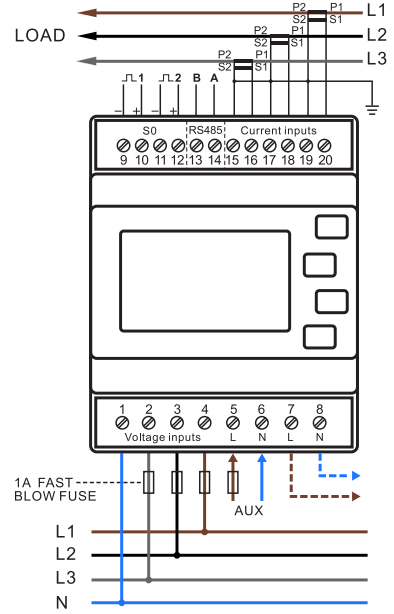
**Single Phase 2-Wire**



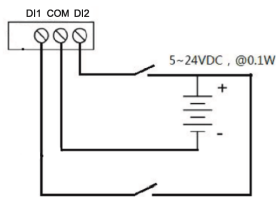
**Three Phase 3-Wire**



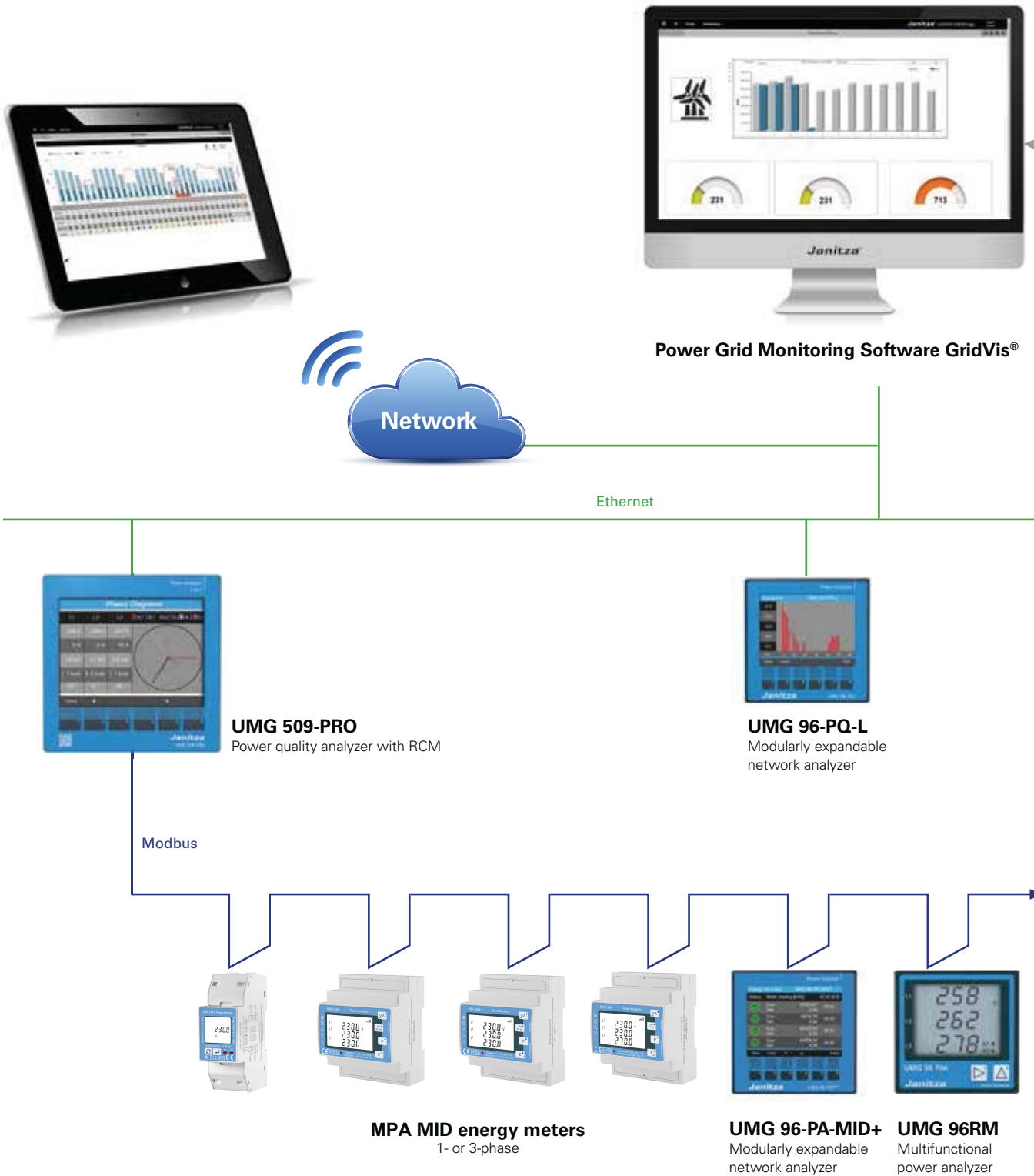
**Three Phase 4-Wire**

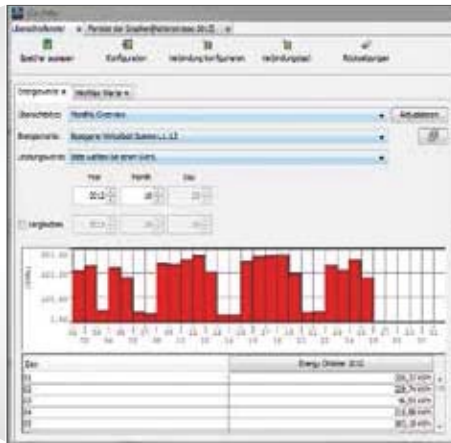


**Digital Input Wiring**

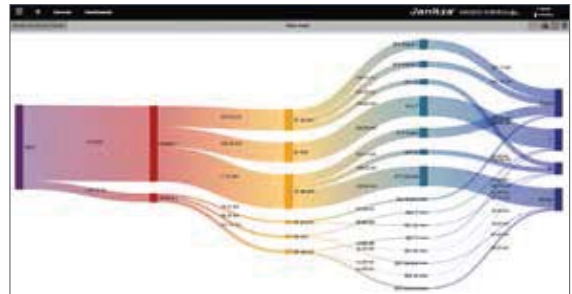


## REMOTE READING WITH A HIGHER-LEVEL PC





Tabular energy reports



Sankey diagrams



Dashboard editor



**UMG 604-PRO**  
Functionally expandable network analyzer

Modbus



**MPA MID energy meters**  
1- or 3-phase



**ProData® Data Logger**  
Gateway for energy meters

Modbus



**MPA MID energy meters**  
1- or 3-phase